




## SA06H Series

## 30 Watts Switching Adapter

### FEATURES

<ul style="list-style-type: none"> <li>●Cispr 22'B', Vcci'B', Fcc'B' Compliance</li> <li>●Light Weight: 220g only</li> <li>●Efficiency 84%</li> <li>●Over-Voltage Protective Installation</li> <li>●Short-circuit Protective Installation</li> <li>●Protection Type: Auto-Recover</li> <li>●Operating Temperature 0~40°C</li> </ul>	
---	--

### SPECIFICATION

Item \ Model	SA06H1217	SA06H1724
Output Voltage	12~17V	17~24V
Output Rating	30W Max	30W Max
Input Voltage	AC 90~264V	
Input Frequency	47~63Hz	
Input Current	1.0A Maximum	
Inrush Current	60A Maximum	
Line Regulation	2% Maximum	
Load Regulation	±5%	
Ripple & Noise	1% Maximum	
Efficiency	84% Typical	86% Typical
Temperature Coefficient	0.05%/°C	
Over-Voltage Protection	Auto Recovery	
Short-circuit Protection	Auto Recovery	
Operating Temperature	0~40°C	
Storage Temperature	-20~85°C	
Safety	UL, CUL, TUV, CB, BSMI, PSE	
EMC (EMI/EMS)	CE, BSMI	

(\*): Under Development (I/P): In Process (Pending): Pending

Above specification is for reference only, please contact for details.

<b>Tel:+86-20-81628973</b>	<b>Fax:+86-20-81628967</b>
<b>e-mail:sales@ceetus.com.cn</b>	<b>Website:www.ceetus.com.cn</b>



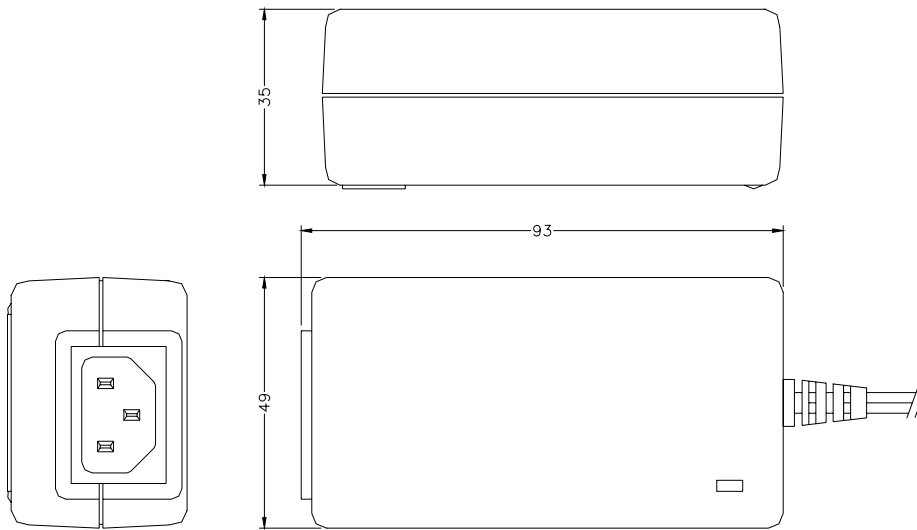
## ORDERING INFORMATION

SA06H12-1A

Output Plug List

Output Voltage: 12 --- 12.0V  
13V8 --- 13.8V

## MECHANICAL



Unit: m.m.

Standard Output Cable:  
18AWG, UL SPT-1, 1200mm

**Tel:+86-20-81628973**

**e-mail:sales@ceetus.com.cn**

**Fax:+86-20-81628967**

**Website:www.ceetus.com.cn**



## SA06L Series

## 6~15 Watts Switching Adapter

### FEATURES

- Cispr 22'B', Vcci'B', Fcc'B' Compliance
- Light Weight: 180g only
- Efficiency Over 70%
- Over-Voltage Protective Installation
- Short-circuit Protective Installation
- Protection Type: Auto-Recover
- Operating Temperature 0~40°C



### SPECIFICATION

Item \ Model	SA06L3V3	SA06L0507	SA06L0810	SA06L1113
Output Voltage	3.3	5~7V	8~10V	11~13V
Output Rating	2.0A	10W Max	10W Max	15W Max
Input Voltage	AC 90~264V			
Input Frequency	47~63Hz			
Input Current	0.5A Maximum			
Inrush Current	40A Maximum			
Line Regulation	2% Maximum			
Load Regulation	±5%			
Ripple & Noise	1% Typical			
Efficiency	68~79% Typical			
Temperature Coefficient	0.05%/°C			
Over-Voltage Protection	Auto Recovery			
Short-circuit Protection	Auto Recovery			
Operating Temperature	0~40°C			
Storage Temperature	-20~85°C			
Safety	UL, CUL, TUV, CB, LPS, BSMI, PSE			
EMC (EMI/EMS)	CE, FCC, BSMI			

(\*): Under Development (I/P): In Process (Pending): Pending

Above specification is for reference only, please contact for details.

<b>Tel:+86-20-81628973</b>	<b>Fax:+86-20-81628967</b>
<b>e-mail:sales@ceetus.com.cn</b>	<b>Website:www.ceetus.com.cn</b>

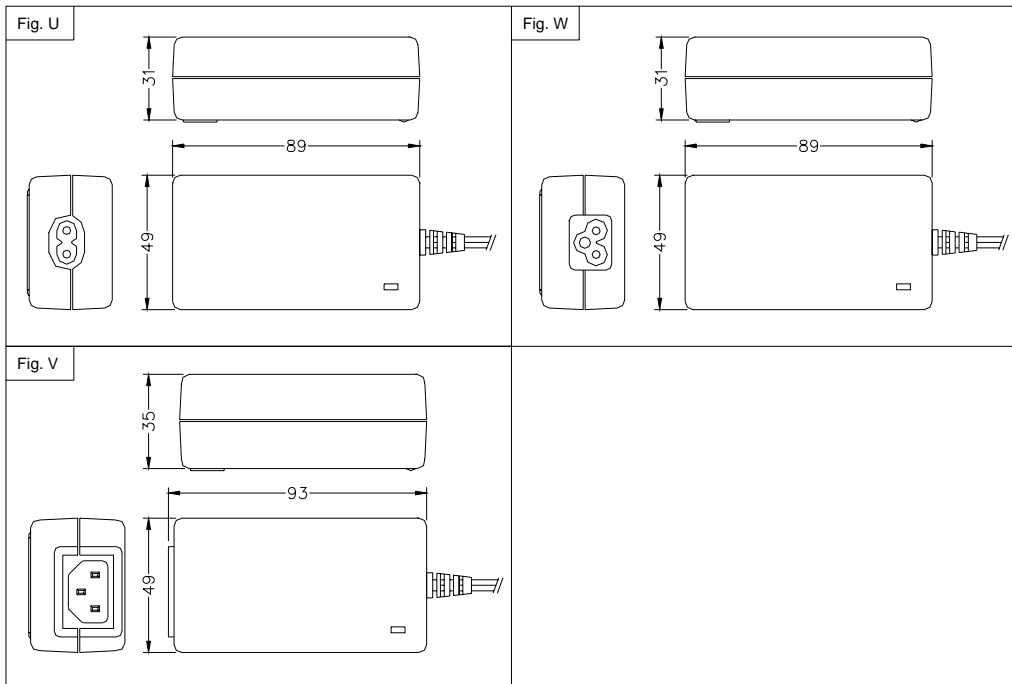


## ORDERING INFORMATION

SA06L05-U-1A

- Output Plug List
- Mechanical
- Output Voltage: 05 --- 5.0V  
5V5 --- 5.5V

## MECHANICAL



Unit: m.m.

Standard Output Cable:  
3.3~5V: 18AWG, UL SPT-1, 1800mm.  
6~13V: 20AWG, UL 2468, 1800mm.

**Tel:+86-20-81628973**

**e-mail:sales@ceetus.com.cn**

**Fax:+86-20-81628967**

**Website:www.ceetus.com.cn**



## SA06L48 Series

## 19 Watts Switching Adapter

### FEATURES

- Cispr 22'B', Vcci'B', Fcc'B' Compliance
- Light Weight: 210g only
- Efficiency Over 75%
- Over-Voltage Protective Installation
- Short-circuit Protective Installation
- Protection Type: Auto-Recover
- Operating Temperature 0~40°C



### SPECIFICATION

Item	Model	SA06L48
Output Voltage		48V
Output Rating		0.4A
Input Voltage		AC 90~264V
Input Frequency		47~63Hz
Input Current		0.5A Maximum
Inrush Current		40A Maximum
Line Regulation		2% Maximum
Load Regulation		±5%
Ripple & Noise		1% Typical
Efficiency		83% Typical
Temperature Coefficient		0.05%/°C
Over-Voltage Protection		Auto Recovery
Short-circuit Protection		Auto Recovery
Operating Temperature		0~40°C
Storage Temperature		-20~85°C
Safety		UL, CUL, TUV, CB, BSMI, PSE, CCC, DOIR
EMC (EMI/EMS)		C-TICK, BSMI

(\*): Under Development (I/P): In Process (Pending): Pending

Above specification is for reference only, please contact for details.

**Tel:+86-20-81628973**

**Fax:+86-20-81628967**

**e-mail:sales@ceetus.com.cn**

**Website:www.ceetus.com.cn**



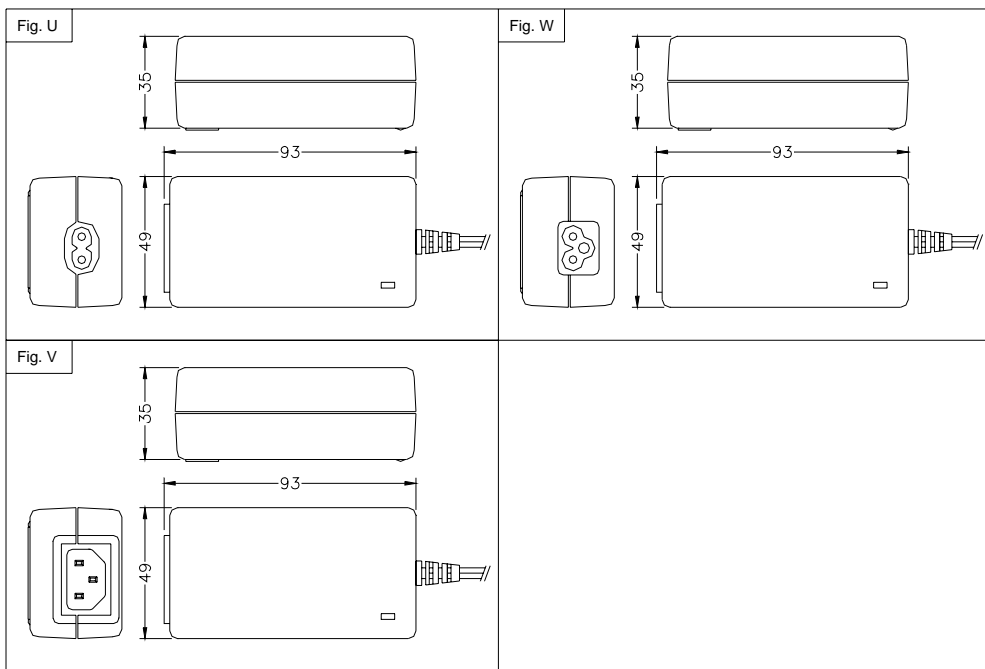
## ORDERING INFORMATION

SA06L48-V-1A

Output Plug List

Mechanical

## MECHANICAL



Unit: m.m.

Standard Output Cable:  
20AWG, UL 2468, 1800mm

**Tel:+86-20-81628973**

**e-mail:sales@ceetus.com.cn**

**Fax:+86-20-81628967**

**Website:www.ceetus.com.cn**



≤

## SA06N Series

## 13~24 Watts Switching Adapter

### FEATURES

- Cispr 22'B', Vcci'B', Fcc'B' Compliance
- Light Weight: 210g only
- Efficiency 69~81%
- Over-Voltage Protective Installation
- Short-circuit Protective Installation
- Protection Type: Auto-Recover
- Operating Temperature 0~40°C



### SPECIFICATION

Model	SA06N3V3	SA06N05	SA06N06	SA06N7V5	SA06N09	SA06N12	SA06N15
Item							
Output Voltage	3.3V	5V	6V	7.5V	9V	12V	15V
Output Current	4.0A	4.0A	3.0A	2.6A	2.0A	2.0A	1.6A
Input Voltage	AC 90~264V						
Input Frequency	47~63Hz						
Input Current	0.8A Maximum						
Inrush Current	40A Maximum						
Line Regulation	2% Maximum						
Load Regulation	±5%						
Ripple & Noise	1% Maximum						
Efficiency	69~81% Typical						
Temperature Coefficient	0.05%/°C						
Over-Voltage Protection	Auto Recovery						
Short-circuit Protection	Auto Recovery						
Operating Temperature	0~40°C						
Storage Temperature	-20~85°C						
Safety	UL, CUL, TUV, CB, LPS, BSMI, PSE, DOIR						
EMC (EMI/EMS)	CE, BSMI						

(\*): Under Development (I/P): In Process (Pending): Pending

Above specification is for reference only, please contact for details.

**Tel:+86-20-81628973**

**Fax:+86-20-81628967**

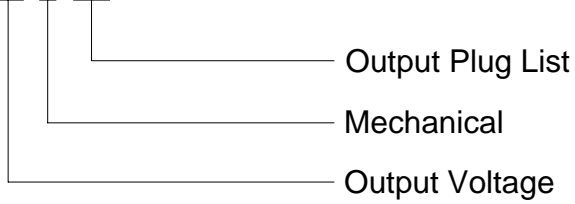
**e-mail:sales@ceetus.com.cn**

**Website:www.ceetus.com.cn**

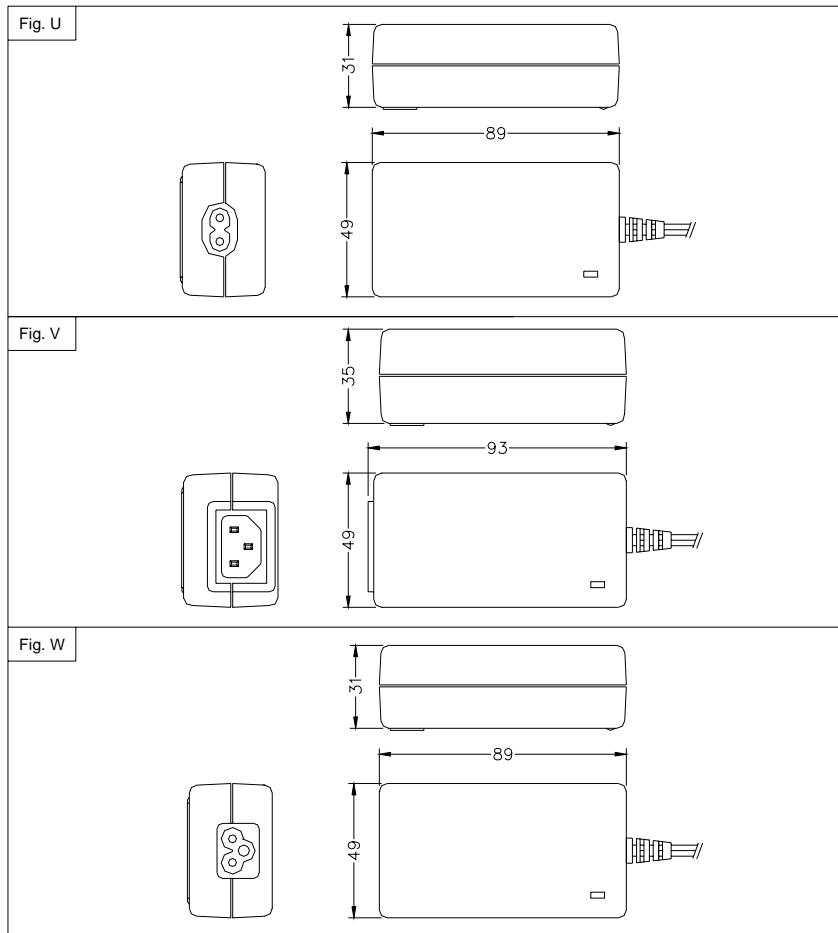


## ORDERING INFORMATION

SA06N05-U-1A



## MECHANICAL



Unit: m.m.

Standard Output Cable:  
3.3~7.5V: 18AWG, UL SPT-1, 1200mm, EMI Core.  
9~15V: 20AWG, UL 2468, 1800mm, EMI Core

**Tel:+86-20-81628973**

**Fax:+86-20-81628967**

**e-mail:sales@ceetus.com.cn**

**Website:www.ceetus.com.cn**



## SA06-..S Series

## 12~18 Watts Switching Adapter

### FEATURES

- CEC Efficiency Regulations Compliance
- Cispr 22'B', Vcci'B', Fcc'B' Compliance
- Light Weight: 190g only
- Efficiency 73~82%
- Over-Voltage Protective Installation
- Short-circuit Protective Installation
- Protection Type: Auto-Recover
- Operating Temperature 0~40°C



### SPECIFICATION

Item \ Model	* SA06-12S05R	* SA06-15S07R	* SA06-15S09R	* SA06-15S12R	* SA06-18S17R
Output Voltage	5~7V	7~9V	9~12V	12~17V	17~24V
Output Power	12.5W	15W	15W	15W	18W
Input Voltage	AC 90~264V				
Input Frequency	47~63Hz				
Input Current	0.6A Maximum				
Inrush Current	50A Maximum				
Line Regulation	2% Maximum				
Load Regulation	±5%				
Ripple & Noise	1% Maximum				
Efficiency	73~82% Typical				
Temperature Coefficient	0.05%/°C				
Over-Voltage Protection	Auto Recovery				
Short-circuit Protection	Auto Recovery				
Operating Temperature	0~40°C				
Storage Temperature	-20~85°C				
Safety	Pending				
EMC (EMI/EMS)	Pending				

(\*): Under Development (I/P): In Process (Pending): Pending

Above specification is for reference only, please contact for details.

**Tel:+86-20-81628973**

**Fax:+86-20-81628967**

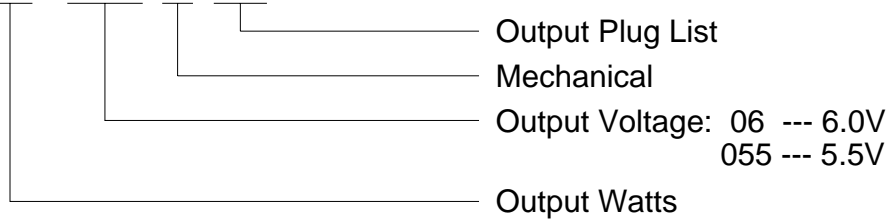
**e-mail:sales@ceetus.com.cn**

**Website:www.ceetus.com.cn**

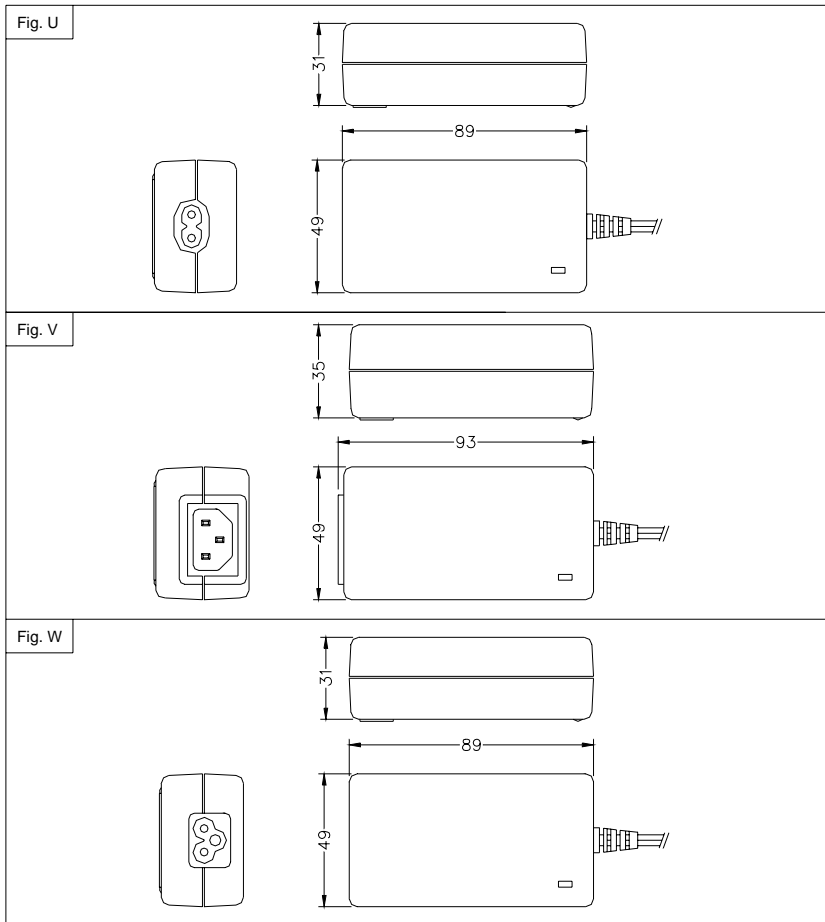


## ORDERING INFORMATION

### SA06-12S055-U-1A



## MECHANICAL



Unit: m.m.

Standard Output Cable:  
 5~7V: 18AWG, UL SPT-1, 1800mm  
 8~24V: 20AWG, UL 2468, 1800mm

<b>Tel:+86-20-81628973</b>	<b>Fax:+86-20-81628967</b>
<b>e-mail:sales@ceetus.com.cn</b>	<b>Website:www.ceetus.com.cn</b>



≤

## SA06-20(24)(30)S Series 20~30Watts Switching Adapter

### FEATURES

- CEC Efficiency Regulations Compliance
- Cispr 22'B', Vcci'B', Fcc'B' Compliance
- Light Weight: 210g only
- Efficiency 78%
- Over-Voltage Protective Installation
- Short-circuit Protective Installation
- Protection Type: Auto-Recover
- Operating Temperature 0~40°C



### SPECIFICATION

Item \ Model	SA06-20S05R	SA06-20S07R	SA06-20S09R	SA06-24S12R	SA06-30S12R	SA06-30S17R
Output Voltage	5~7V	7~9V	9~12V	12~17V	12~17V	17~24V
Output Rating	20W Max	20W Max	20W Max	24W Max	30W Max	30W Max
Input Voltage	AC 90~264V					
Input Frequency	47~63Hz					
Input Current	0.8A Maximum					
Inrush Current	40A Maximum					
Line Regulation	2% Maximum					
Load Regulation	±5%					
Ripple & Noise	1% Maximum					
Efficiency	78% Typical					
Temperature Coefficient	0.05%/°C					
Over-Voltage Protection	Auto Recovery					
Short-circuit Protection	Auto Recovery					
Operating Temperature	0~40°C					
Storage Temperature	-20~85°C					
Safety	Pending					
EMC (EMI/EMS)	Pending					

(\*): Under Development (I/P): In Process (Pending): Pending

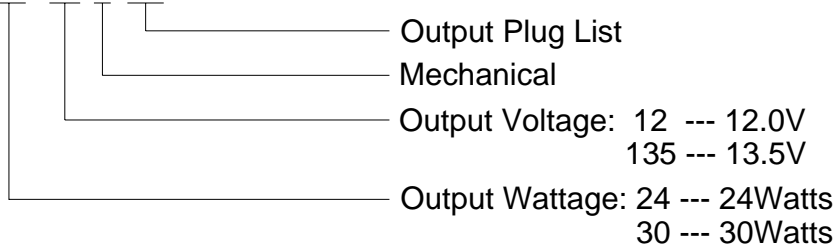
Above specification is for reference only, please contact for details.

<b>Tel:+86-20-81628973</b>	<b>Fax:+86-20-81628967</b>
<b>e-mail:sales@ceetus.com.cn</b>	<b>Website:www.ceetus.com.cn</b>

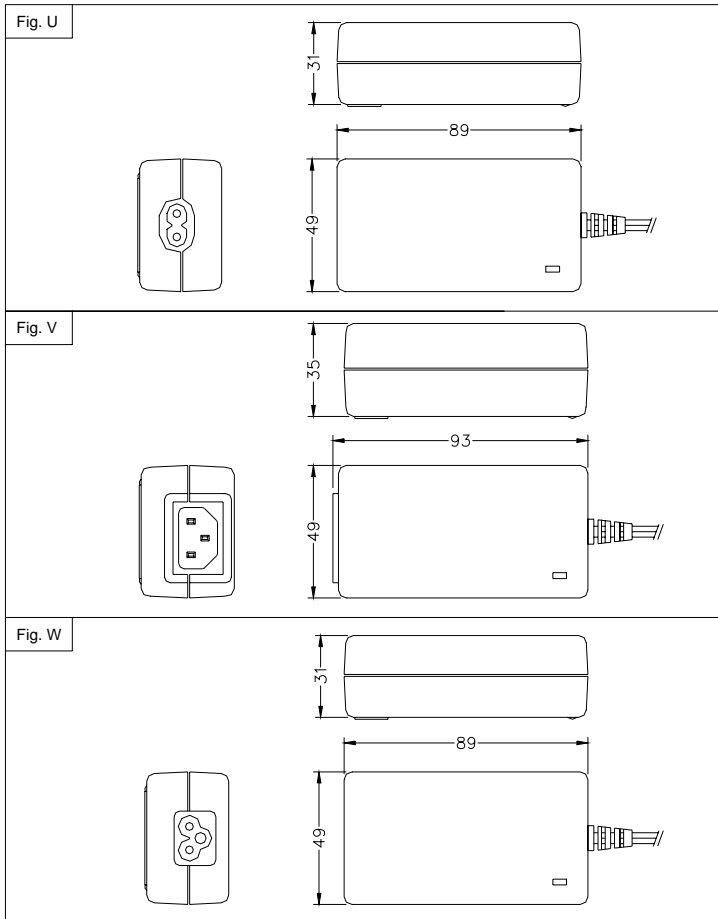


## ORDERING INFORMATION

SA06-24S12-U-1A



## MECHANICAL



Unit: m.m.

Standard Output Cable:  
5~8V: 18AWG, UL SPT-1, 1200mm  
9~24V: 18AWG, UL SPT-1, 1800mm

**Tel:+86-20-81628973**

**Fax:+86-20-81628967**

**e-mail:sales@ceetus.com.cn**

**Website:www.ceetus.com.cn**