



## SINGLE PORT 10/100 BASE PULSE TRANSFORMERS

**P/N: LCZ5P4CA**

### Feature

- Magnetic designs to support every PHY.
- Complies with IEEE 802.3 standards including 350 uH min OCL with 8mA bias.
- HI-POT: 1500V.
- RoHS compliant.

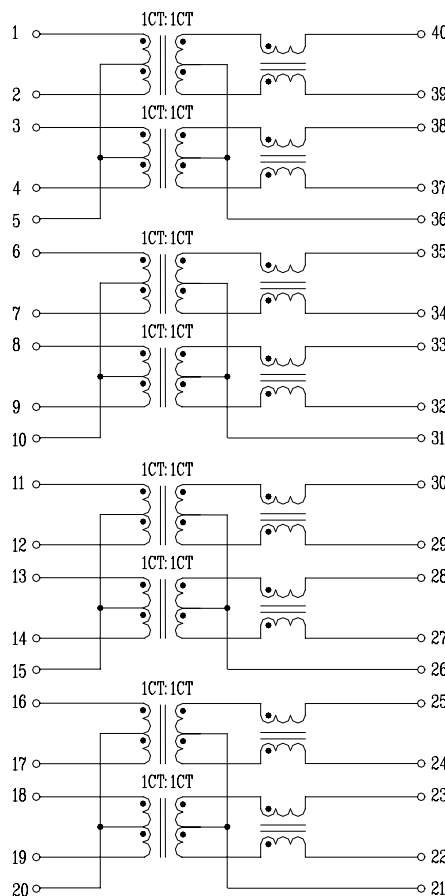


### Electrical Specifications @ 25°C

Part Number	Turns Ratio (±5%) TX/RX	Insertion Loss (dB Max) 1-100MHz	OCL (uH Min) @100KHz/0.1V with 8.0mA DC	Return Loss (dB Min @ Load 100 Ω)			Cross talk (dB Min)			DCMR (dB Min)		
				30MHz	50MHz	80MHz	0.3-30 MHz	30-60 MHz	60-100 MHz	1-30 MHz	30-60 MHz	60-125 MHz
LCZ5P4CA	1CT:1CT	-1.2	350	-15	-13	-11	-40	-35	-30	-30	-25	-20

\* Operating temperature range: -0°C to +75°C. Storage temperature range: -20°C to +125°C.

### Schematic



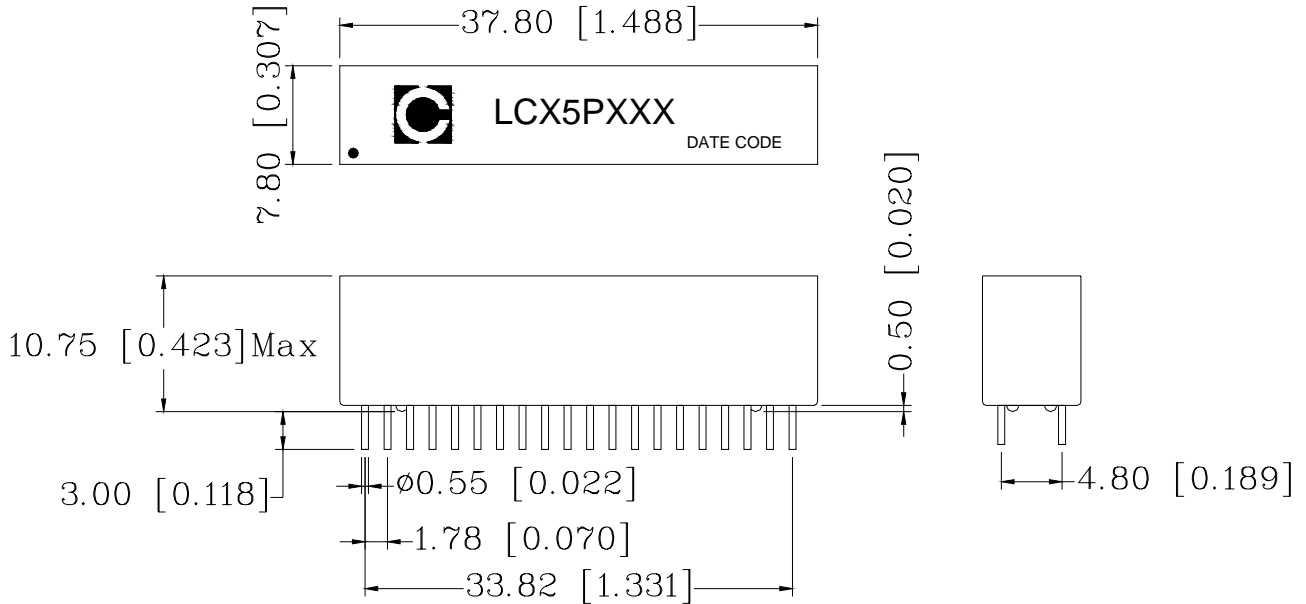
<b>Tel:+86-20-81628973</b>	<b>Fax:+86-20-81628967</b>
<b>E-mail:sales@ceetus.com.cn</b>	<b>Website:www.ceetus.com.cn</b>



## SINGLE PORT 10/100 BASE PULSE TRANSFORMERS

**P/N: LCZ5P4CA**

### Mechanical



Units: mm[Inches].

Tolerance:  $\pm 0.25$  (0.010) unless specified otherwise.

### Note:

#### Datasheet Change History:

V0	2007/Jul.	Datasheet Set Up

Tel:+86-20-81628973	Fax:+86-20-81628967
E-mail:sales@ceetus.com.cn	Website:www.ceetus.com.cn