

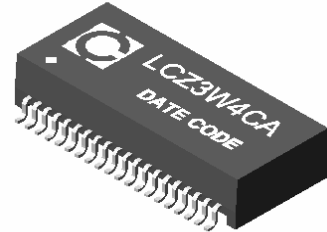


## QUAD PORT 10/100 BASE PULSE TRANSFORMERS

P/N: LCZ3W4CA

### Feature

- IEEE 802.3 Ethernet compatible.
- 100base-TX surface mountable.
- Design for multi-port repeater and Ethernet switching HUB application.
- Customer designs available for specific application.
- Comply with RoHs requirements whole part No Cd, NoHg, No Cr6+, No PBB and PBDE and No Pb on external pins.
- Comply with Air reflow profile of JEDEC 020-C.
- Meet EN60950-1 basic insulation requirement.



### Electrical Specifications @ 25°C

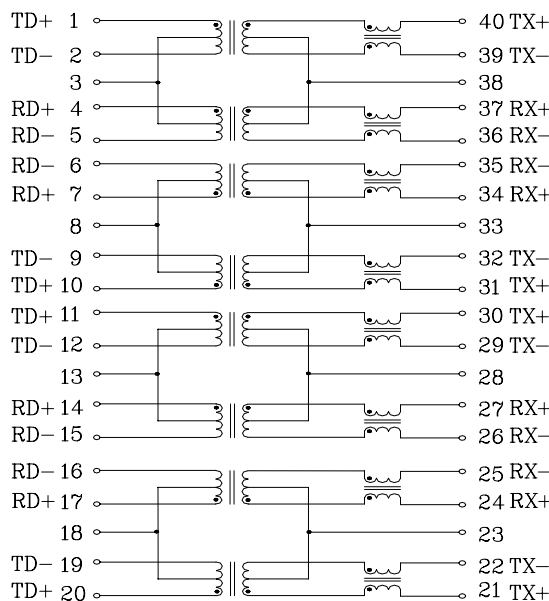
Part Number	Turns Ratio (±5%)		OCL(μH Min) @100KHz/0.1V with 8.0mA DC	Insertion Loss (dB Max) 0.3-100MHz	HI-POT (Vrms) 1500
	TX	RX			
LCZ3W4CA	1CT:1CT	1CT:1CT	350	-1.15	1500

### Electrical Specifications @ 25°C

Part Number	Return Loss (dB Min)			Cross Talk (dB Min)		DCMR (dB Min)		
	0.3-30MHz	30-60MHz	60-80MHz	0.3-60MHz	60-100MHz	60MHz	100MHz	200MHz
LCZ3W4CA	-16	-12	-10	-45	-35	-37	-28	-25

\* Operating temperature range: 0°C to +70°C. Storage temperature range: -25°C to +125°C.

### Schematic



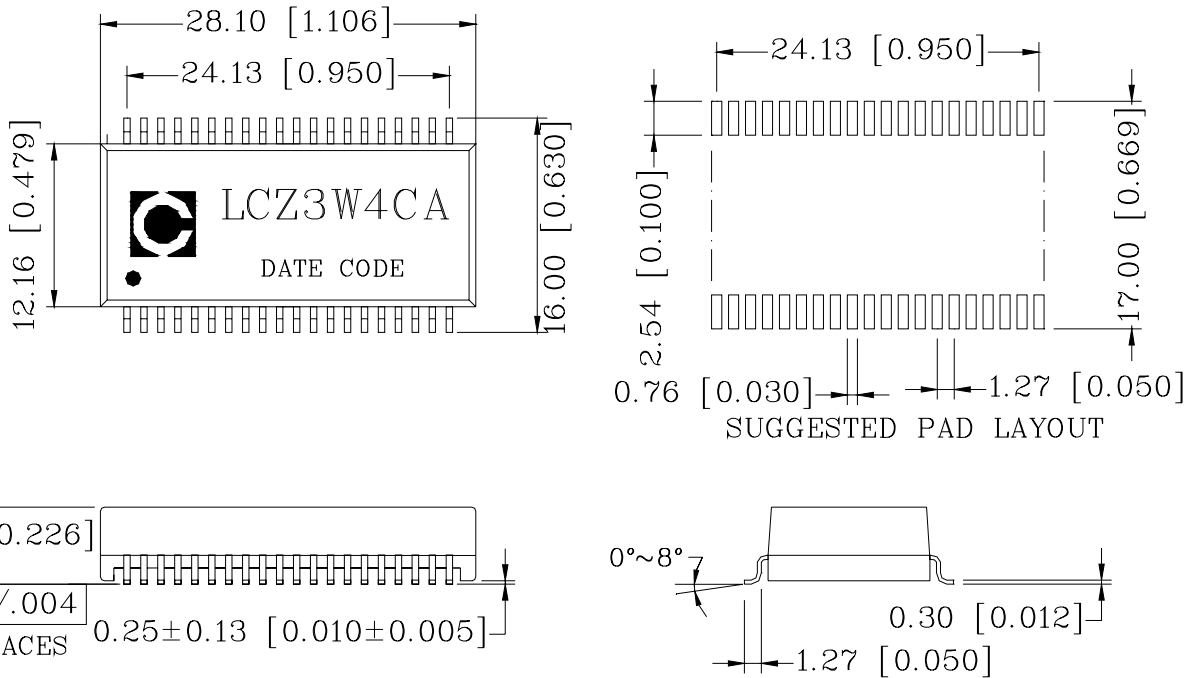
Tel:+86-20-81628973	Fax:+86-20-81628967
E-mail:sales@ceetus.com.cn	Website:www.ceetus.com.cn



## QUAD PORT 10/100 BASE PULSE TRANSFORMERS

P/N: LCZ3W4CA

### Mechanical



Tolerance: ±0.25 (0.010) unless specified otherwise.

### NOTE:

Datasheet Change History:

V0	2006/Jul.	Datasheet Set Up

Tel:+86-20-81628973	Fax:+86-20-81628967
E-mail:sales@ceetus.com.cn	Website:www.ceetus.com.cn