



10/100 BASE QUAD PORT PULSE TRANSFORMERS

P/N: LCZ3A1CA

Feature

- Compliant with IEEE 802.3u and ANSI X3.263 standards.
- Symmetrical TX and RX channels for auto MDI/MDIX capability.
- Customer deigns available for specific application.
- RoHS compliant.



Electrical Specifications @ 25°C

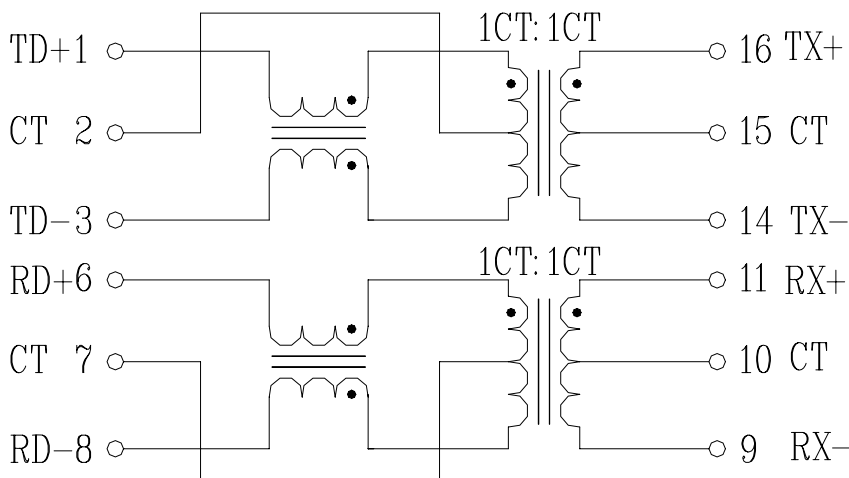
Part Number	Turns Ratio (±5%)		OCL(μH Min) @ 100KHz/0.1V with 8.0mA DC	Insertion Loss (dB Max)	HI-POT (Vrms)
	TX	RX		0.3-100MHz	
LCZ3A1CA	1CT:1CT	1CT:1CT	350	-1.15	1500

Electrical Specifications @ 25°C

Part Number	Return Loss (dB Min)			Cross Talk (dB Min)		DCMR (dB Min)		
	0.3-30MHz	30-60MHz	60-80MHz	0.3-60MHz	60-100MHz	60MHz	100MHz	200MHz
LCZ3A1CA	-16	-12	-10	-45	-35	-37	-28	-25

* Operating temperature range: 0°C to +70°C. Storage temperature range: -25°C to +125°C.

Schematic



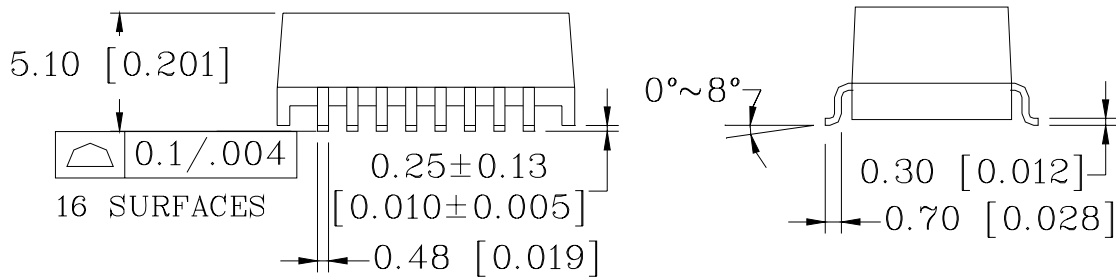
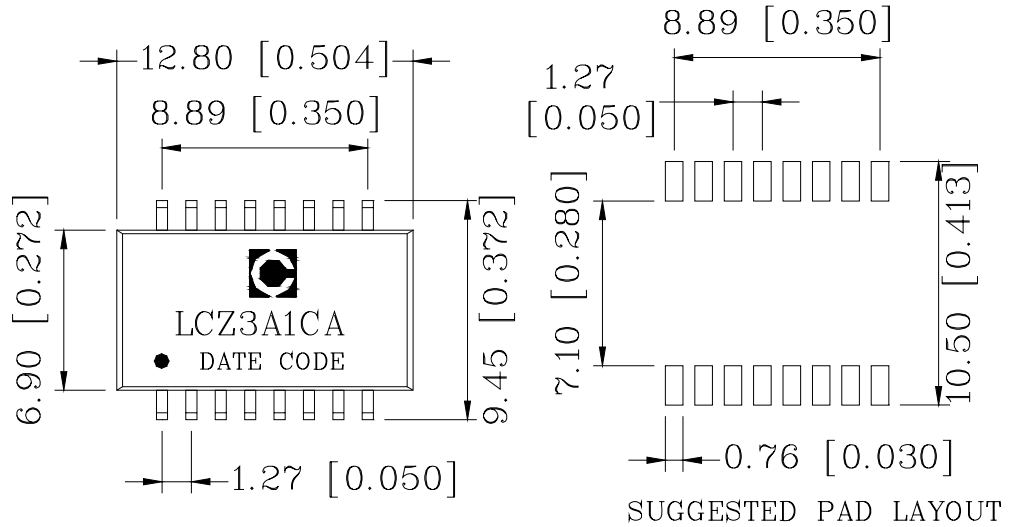
Tel:+86-20-81628973	Fax:+86-20-81628967
E-mail:sales@ceetus.com.cn	Website:www.ceetus.com.cn



10/100 BASE QUAD PORT PULSE TRANSFORMERS

P/N: LCZ3A1CA

Mechanical



Tolerance: ±0.25 (0.010) unless specified otherwise.

NOTE:

Datasheet Change History:

Version	Date	Description
V0	2006/Jun.	Datasheet Set Up
V1	2007/Apr.	revise mode of the Datasheet

Tel:+86-20-81628973	Fax:+86-20-81628967
E-mail:sales@ceetus.com.cn	Website:www.ceetus.com.cn