



QUAD PORTS 10/100 BASE INTEGRATED MAGNETICS RJ45 CONNECTOR

P/N: J4A701ZCD

Feature

- Single port Tab-UP with internal magnetics for 10/100 Base-TX.
- Suitable for CAT 5 & 6 Fast Ethernet cable or better UTP.
- Internal magnetics are 100% electrically tested for HI-POT & functionality.
- 350 μ H minimum OCL with 8mA bias current.
- Meets or exceeds IEEE 802.3b standard for 10/100Base-T.
- High performance for maximum EMI suppression.
- RoHS compliant.



Electrical Specifications @ 25°C

| Part Number | Turns Ratio ($\pm 5\%$) | | OCL(μ H Min) @ 100 KHz/0.1V with 8mA DC Bias | C_{ww} (pF Max) | L_L (μ H Max) | Insertion Loss (dB Max) @ 100KHz-100MHz | Hi-pot (Vrms) For Leakage 0.5mA/2sec |
|-------------|---------------------------|---------|---|----------------------|-------------------------|---|--|
| | TX | RX | | | | | |
| J4A701ZCD | 1CT:1CT | 1CT:1CT | 350 | 28 | 0.4 | -1.1 | 1500 |

Continue

| Part Number | Return Loss (dB Min) | | | Cross talk (dB Min) | | | Common Mode Rejection (dB Min)TX/RX | | |
|-------------|----------------------|-------|-------|---------------------|-------|--------|-------------------------------------|-------|--------|
| | 30MHz | 60MHz | 80MHz | 30MHz | 60MHz | 100MHz | 30MHz | 50MHz | 100MHz |
| J4A701ZCD | -16 | -12 | -10 | -40 | -35 | -33 | -30 | -25 | -20 |

RJ45 Durability Testing Rating & Material Specification

| Part Number | Durability | Mating Force | Shield | |
|-------------|----------------|-------------------|----------|--|
| | | | Material | Finish |
| J4A701ZCD | 750 Insertions | 5 lbs./2.268 kgs. | Brass | 10-20m inches Nickel over 10-20m inches Brass |

RJ45 Material Specification

| Part Number | Contact | | Housing | |
|-------------|----------------|--|---------------|---------------|
| | Material | Plating Area | Material | Specification |
| J4A701ZCD | Phosphor Brass | 10-20m inches Nickel over selective gold plating 6 μ inches | Thermoplastic | UL 94 V-0 |

* Operating temperature range: 0°C to +70°C. Storage temperature range: -25°C to +125°C.

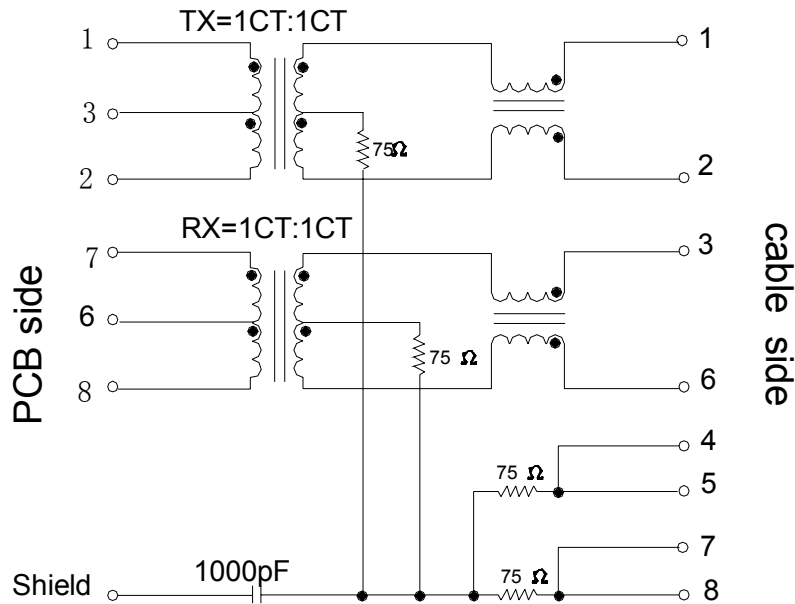
| | |
|-----------------------------------|----------------------------------|
| Tel:+86-20-81628973 | Fax:+86-20-81628967 |
| E-mail:sales@ceetus.com.cn | Website:www.ceetus.com.cn |



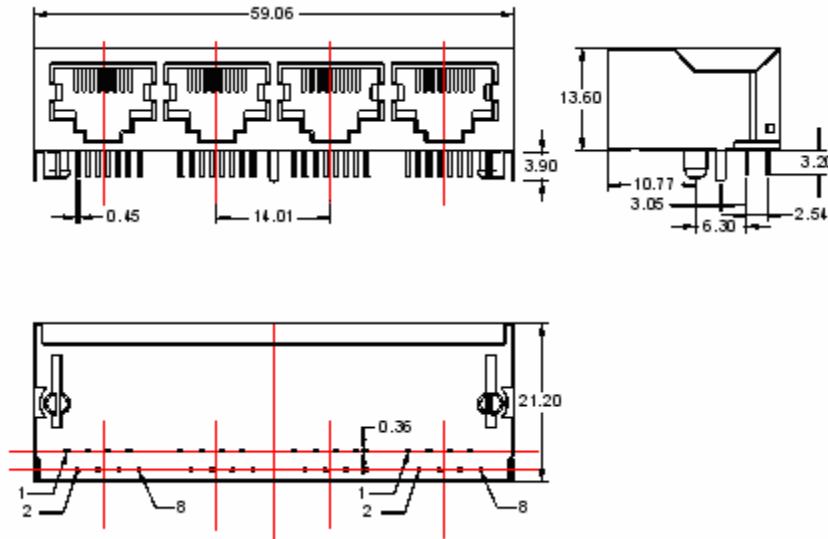
QUAD PORTS 10/100 BASE INTEGRATED MAGNETICS RJ45 CONNECTOR

P/N: J4A701ZCD

Schematic



Mechanical



Tolerance: ± 0.25 (0.010) unless specified otherwise.

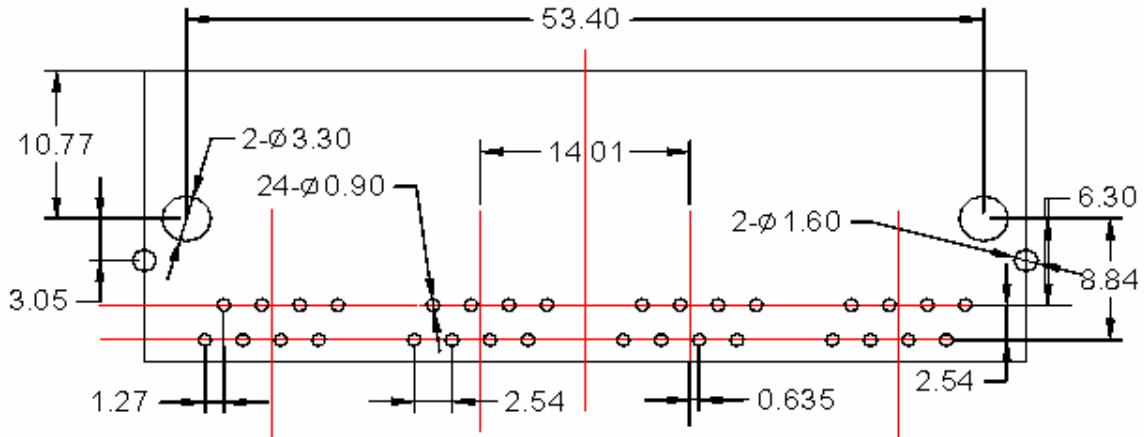
| | |
|----------------------------|---------------------------|
| Tel:+86-20-81628973 | Fax:+86-20-81628967 |
| E-mail:sales@ceetus.com.cn | Website:www.ceetus.com.cn |



QUAD PORTS 10/100 BASE INTEGRATED MAGNETICS RJ45 CONNECTOR

P/N: J4A701ZCD

PCB Layout Mounting Hole (Top View)



Units : mm
Tolerances : +/-0.25

NOTE:

Datasheet Change History:

| Version | Date | Description |
|---------|-----------|------------------|
| V0 | 2007/Mar. | Datasheet Set Up |
| | | |
| | | |
| | | |
| | | |

| | |
|----------------------------|---------------------------|
| Tel:+86-20-81628973 | Fax:+86-20-81628967 |
| E-mail:sales@ceetus.com.cn | Website:www.ceetus.com.cn |