



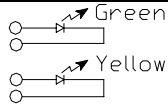
SINGLE RJ45 CONNECTOR WITH LEDS

P/N:J1B626000

Feature

- Size same as RJ-45 connector to save PCB board space.
- Recommended panel

Part Numbe	(Left Led)	(Right Led)
1	Green	Yellow



RJ45 Durability Testing Rating & Material Specification

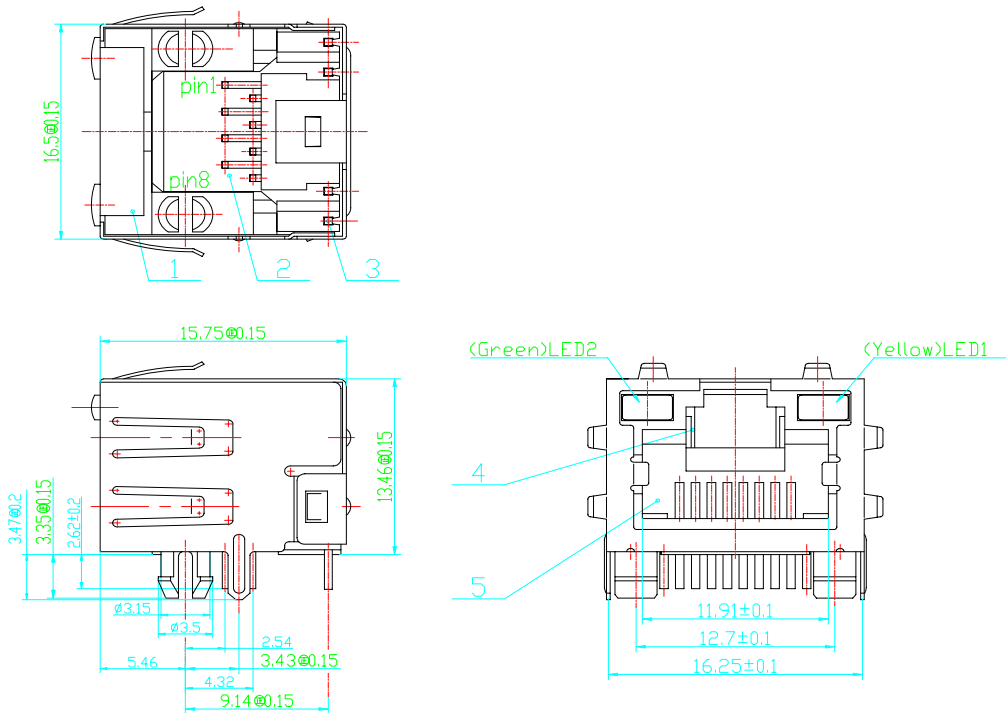
Part Number	Durability	Mating Force	Shield	
			Material	Finish
J1B626000	750 Insertions	5 lbs./2.268 kgs.	Brass	10-20m inches Nickel over 10-20m inches Brass

RJ45 Material Specification

Part Number	Contact		Housing	
	Material	Plating Area	Material	Specification
J1B626000	Phosphor Brass	10-20m inches Nickel over selective gold plating 3 μ inches	Thermoplastic	UL 94 V-0

* Operating temperature range: 0°C to +70°C. Storage temperature range: -25°C to +125°C.

Mechanical



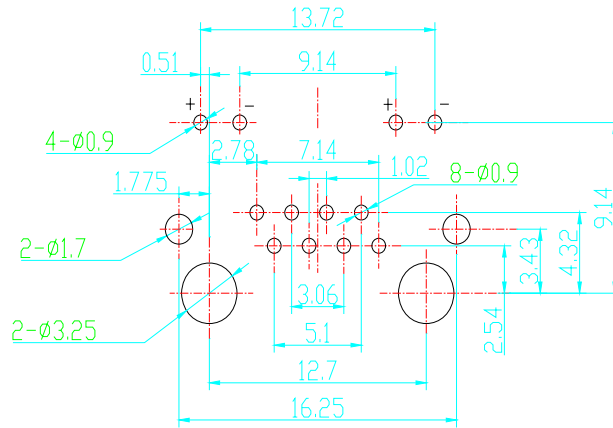
Tel:+86-20-81628973	Fax:+86-20-81628967
E-mail:sales@ceetus.com.cn	Website:www.ceetus.com.cn



SINGLE RJ45 CONNECTOR WITH LEDS

P/N:J1B626000

PCB Layout Mounting Hole (Top View)



Tolerance: ± 0.25 (0.010) unless specified otherwise.

NOTE:

Datasheet Change History:

V0	2007/Mar.	Datasheet Set Up

Tel:+86-20-81628973

Fax:+86-20-81628967

E-mail:sales@ceetus.com.cn

Website:www.ceetus.com.cn