



## 10/100 BASE-TX MAGNETICS SINGLE RJ45 CONNECTOR MODULE

P/N:J10101ZCB

### Feature

- Suitable for CAT 5 & 6 Fast Ethernet Cable or better UTP.
- Meets or exceeds IEEE 802.3 standard for 100Base-T.
- 350  $\mu$ H minimum OCL with 8 mA bias current.
- Minimum 1500 Vrms isolation per IEEE 802.3 requirement.
- All materials are RoHS and UL94 V-0 compliant.
- RoHS peak solder rating 260°C.
- Meet EN60950-1 basic insulation requirement.

### Electrical Specifications @ 25°C

| Part Number | Turns Ratio ( $\pm 5\%$ ) |           | Crosstalk (dB TYP) | Return Loss $100\Omega \pm 5\Omega$ (dB TYP) |          |           |           |
|-------------|---------------------------|-----------|--------------------|--|----------|-----------|-----------|
|             | TX                        | RX        |                    | 1-65 MHz                                     | 1-10 MHz | 10-30 MHz | 30-60 MHz |
| J10101ZCB   | 1CT : 1CT                 | 1CT : 1CT | -1                 | -20  | -16      | -12       | -10       |

### Electrical Specifications @ 25°C

| Part Number | Crosstalk (dB TYP) |           |            | Common Mode Rejection (dB TYP) |            | HI-POT (Vrms) |
|-------------|--------------------|-----------|------------|--------------------------------|------------|---------------|
|             | 1-30 MHz           | 30-60 MHz | 60-100 MHz | 1-50 MHz                       | 50-150 MHz | @60MHz/1Min   |
| J10101ZCB   | -40                | -35       | -30        | -30                            | -20        | 1500          |

### RJ45 Durability Testing Rating & Material Specification

| Part Number | Durability     | Mating Force      | Shield   |  |
|-------------|----------------|-------------------|----------|--|
|             |                |                   | Material | Finish   |
| J10101ZCB   | 750 Insertions | 5 lbs./2.268 kgs. | Brass    | 10-20m inches Nickel over<br>10-20m inches Brass |

### RJ45 Material Specification

| Part Number | Contact        |   | Housing       |               |
|-------------|----------------|---|---------------|---------------|
|             | Material       | Plating Area  | Material      | Specification |
| J10101ZCB   | Phosphor Brass | 10-20m inches Nickel over selective gold plating 6 $\mu$ inches | Thermoplastic | UL 94 V-0     |

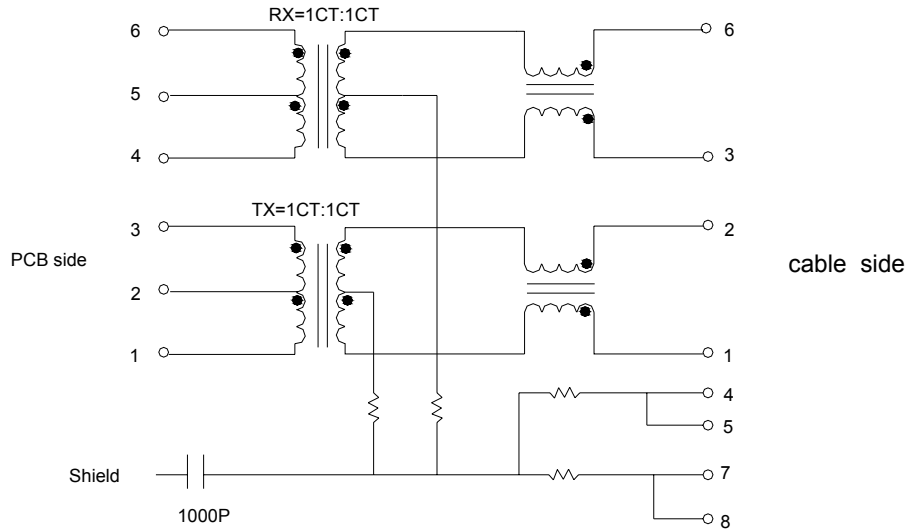
\* Operating temperature range: 0°C to +70°C. Storage temperature range: -25°C to +125°C.

|                                   |                                  |
|-----------------------------------|----------------------------------|
| <b>Tel:+86-20-81628973</b>        | <b>Fax:+86-20-81628967</b>       |
| <b>E-mail:sales@ceetus.com.cn</b> | <b>Website:www.ceetus.com.cn</b> |

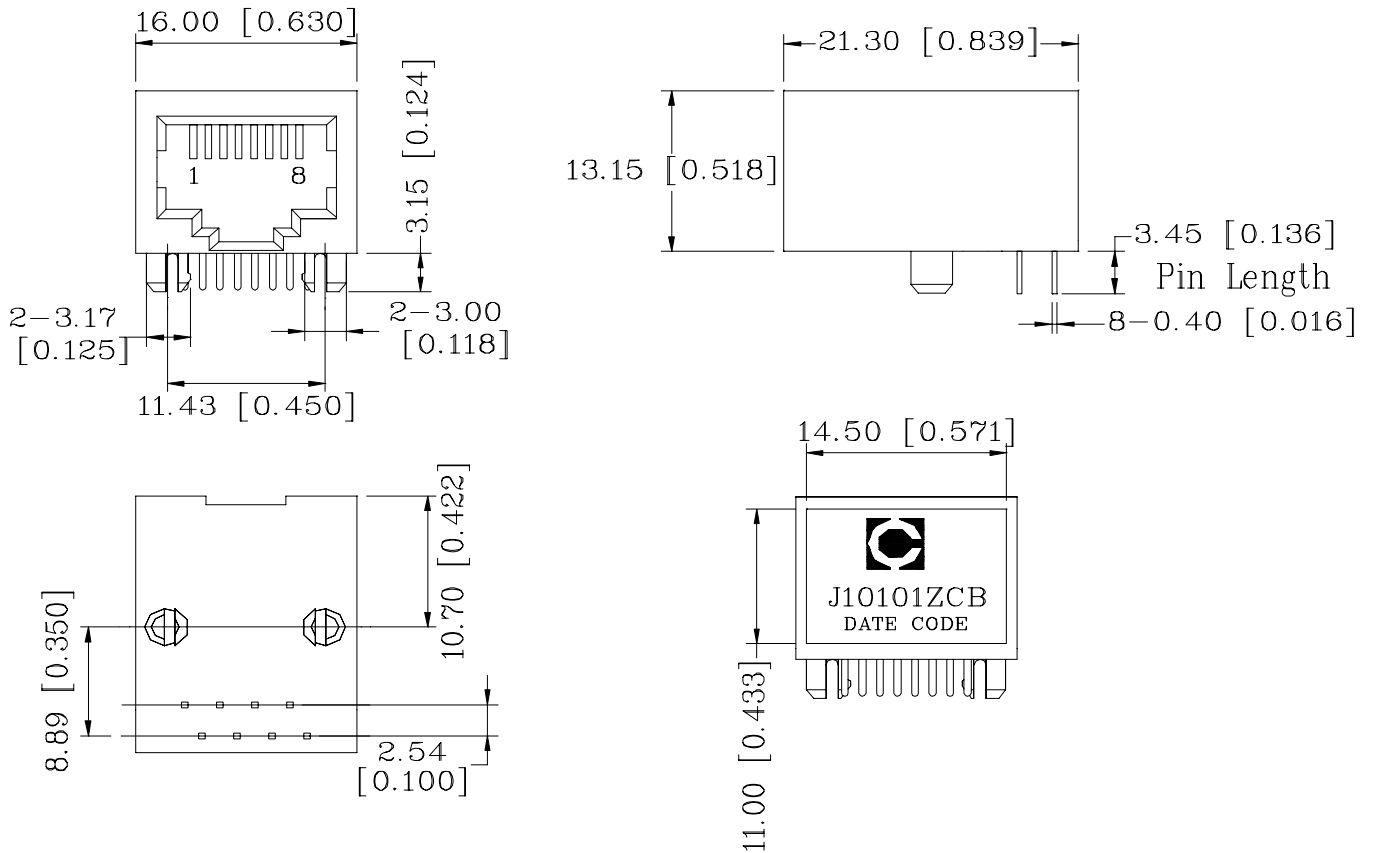


## 10/100 BASE-TX MAGNETICS SINGLE RJ45 CONNECTOR MODULE P/N:J10101ZCB

### Schematic



### Mechanical



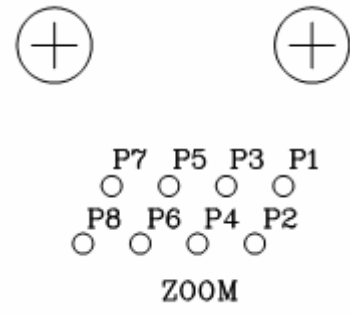
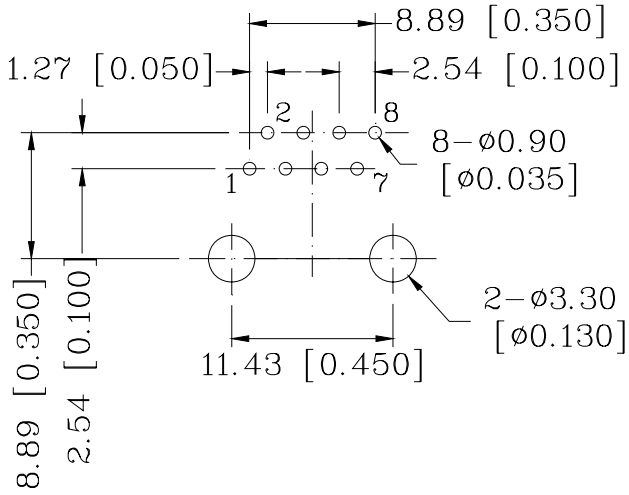
|                            |                           |
|----------------------------|---------------------------|
| Tel:+86-20-81628973        | Fax:+86-20-81628967       |
| E-mail:sales@ceetus.com.cn | Website:www.ceetus.com.cn |



## 10/100 BASE-TX MAGNETICS SINGLE RJ45 CONNECTOR MODULE

P/N:J10101ZCB

### PCB Layout Mounting Hole (Top View)



**NOTE:**

Datasheet Change History:

|    |           |                  |
|----|-----------|------------------|
| V0 | 2007/Mar. | Datasheet Set Up |
|    |           |                  |
|    |           |                  |
|    |           |                  |
|    |           |                  |

|                            |                           |
|----------------------------|---------------------------|
| Tel:+86-20-81628973        | Fax:+86-20-81628967       |
| E-mail:sales@ceetus.com.cn | Website:www.ceetus.com.cn |