

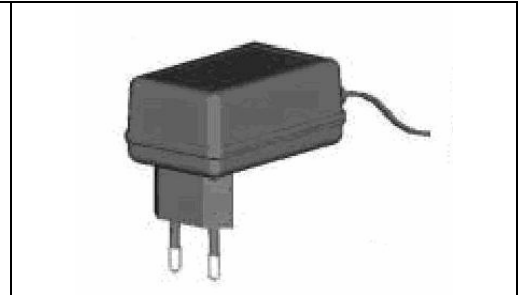


## SWITCHING ADAPTOR POWER

P/N: AD4048B

### Feature

- AC INPUT VOLTAGE IS 90V TO 264V WITH INPUT FREQUENCY OF 60Hz OR 50Hz, FREEVOLTAGE.
- DC OUTPUT IS +48.0V
- THE POWER SUPPLY WILL HAVE AN ON BOARD AC FILTER THAT MEET CONDUCTED NOISE SPECIFICATIONS OF FCC.
- 4HOURS AT 30°C( ±10°C ), NORMAL INPUT VOLTAGE.



### Line Input Specification

Voltage Range (V)	Frequency Range (Hz)	HI-POT (V)		Inrush Current (A max)		Input Current (A max)	
		Pri: Sec	Pri: Sec ground	100V	240V	115V	230V
90~ 264	47 ~ 63	3000	1500	30	60	1.2	0.6

Insulation Resistance Shall be more than 100MΩ at 500V between primary and secondary

### Output Specification

DC output (±5%)		LOAD REGULATION(±5%)		Ripple and Noise 100V/ 60Hz & 240V/ 50Hz	
Voltage(V)	Regulation (mA)	Voltage(V)	Regulation (V)	Ripple(mV)	Noise(mV)
+48	50-630	+48	45.6-50.4	60	240

### Others Specification

EMI REQUIREMENTS	1.FCC PART 15 CLASS B 2. CISPR CLASS B 3. EN55022 CLASS B
Safety Requitements	UL 1950 CSA22.2 NO.950 EN60950
HUMIDITY	OPERATING:0% TO 85% NON-CONDENSING STORAGE: UP TO 6 MONTHS, 1% TO 90% NON-CONDENSING
TEMPERATURE	STORAGE: UP TO 6 MONTHS, -10°C TO +60°C OPERATING:0°C TO 40°C AT FULL LOAD OUTPUT

Tel:+86-20-81628973

Fax:+86-20-81628967

e-mail:sales@ceetus.com.cn

Website:www.ceetus.com.cn



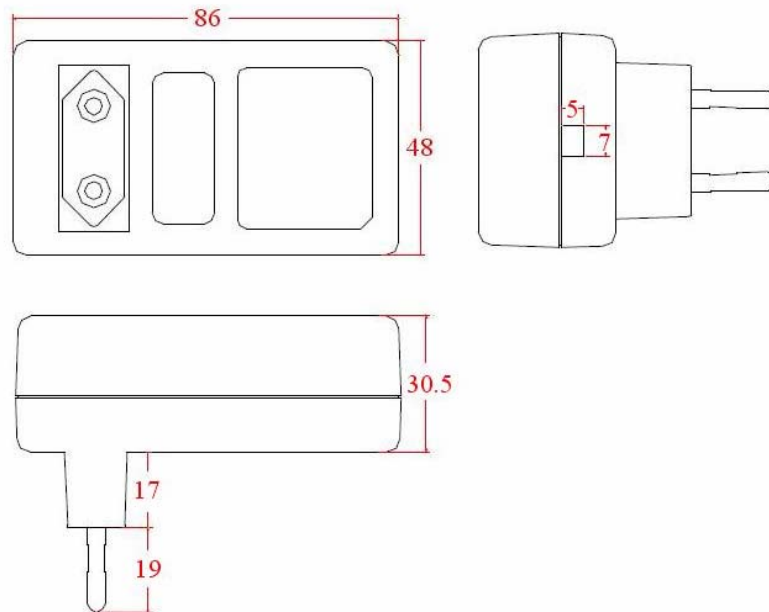
## SWITCHING ADAPTOR POWER

P/N: AD4048B

### LABEL



### Mechanical



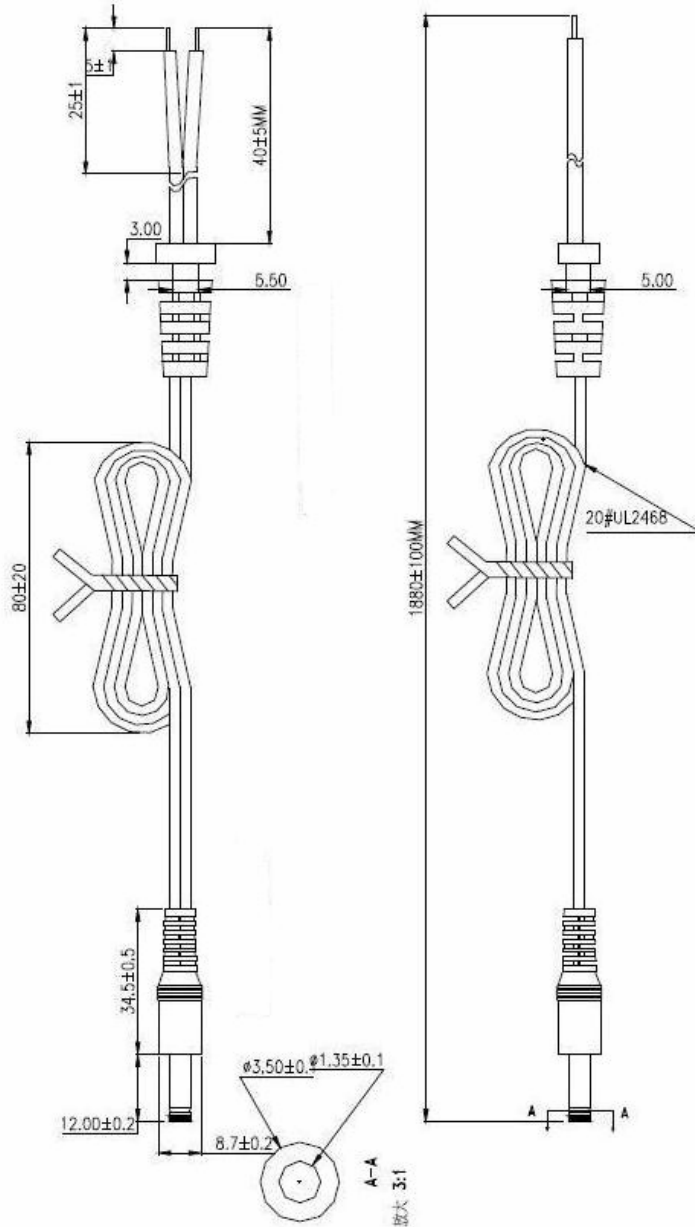
Tel:+86-20-81628973	Fax:+86-20-81628967
e-mail:sales@ceetus.com.cn	Website:www.ceetus.com.cn



## SWITCHING ADAPTOR POWER

P/N: AD4048B

### Dimension of Output plug & DC cord



### NOTE:

#### Datasheet Change History:

V0	2007/Mar.	Datasheet Set Up

Tel:+86-20-81628973

Fax:+86-20-81628967

e-mail:sales@ceetus.com.cn

Website:www.ceetus.com.cn