

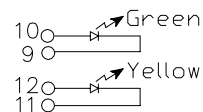


# 1\*6 PORT RJ45 CONNECTOR MODUL



- 1\*6 PORT RJ45 CONNECTOR
- Recommended panel

Part Numbe	9,10 (Left Led)	11,12 (Right Led)
2	Green	Yellow



## RJ45 RJ45 Durability Testing Rating &Material Specification Durability Testing

Durability	Mating Force	Contact		Housing		Shield	
		Material	Plating Area	Material	Specification	Material	Finish
750 Insertions	5 lbs./2.268 kgs.	Phosphor Brass	10-20m inches Nickel over selective gold plating 6 μ inches	Thermoplastic	UL 94 V-0 1	Brass	10-20m inches Nickel over 10-20m inches Brass

### NOTE:

1. Explanation of 3<sup>th</sup> letters of P/N (Part Number) : Package Type

Part NO	Shield type
A	standard shield
B	with spring tab on top and side
C	spring tab on top
D	spring tab on side

2.Explanation of 5<sup>th</sup> letter of P/N (Part Number)

Standard LED	LED Wavelength	Forward*V(Max)	(TYP)
GREEN	560-570nm	2.5V	2.1-2.2V
YELLOW	580-610nm	2.5V	2.1-2.2V

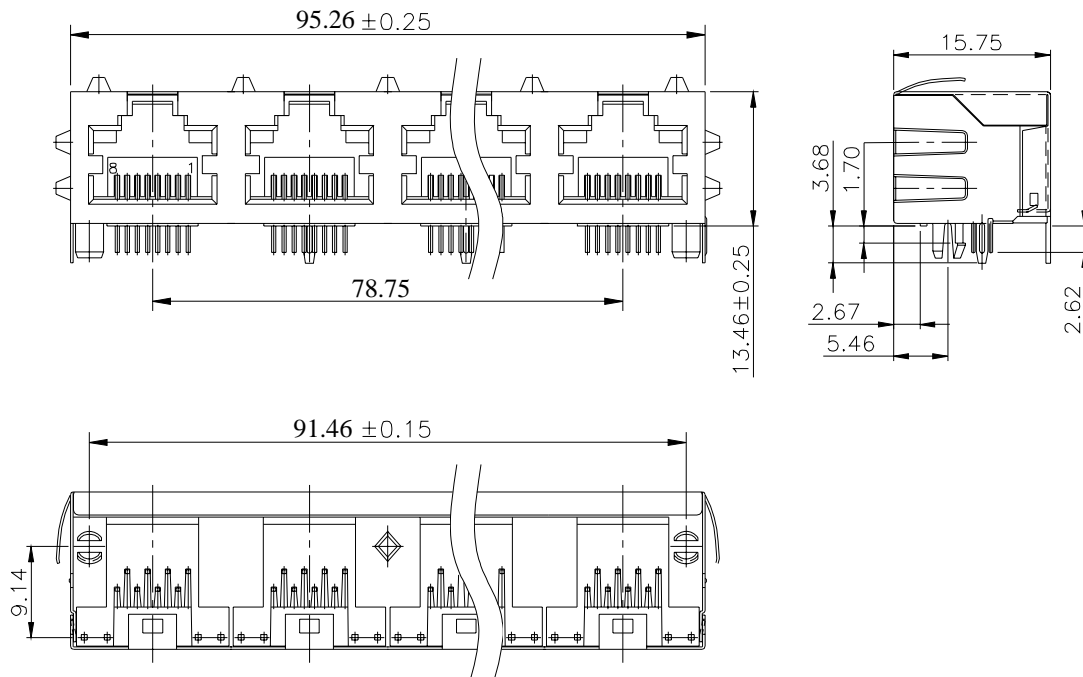
With a forward current 20mA



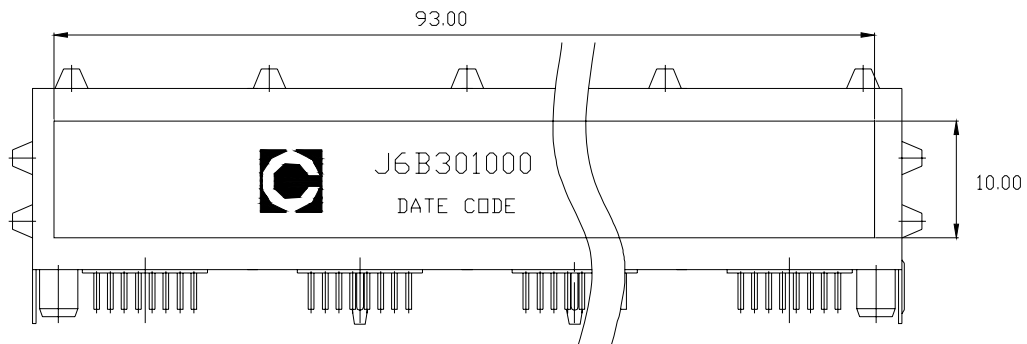


## Mechanicals

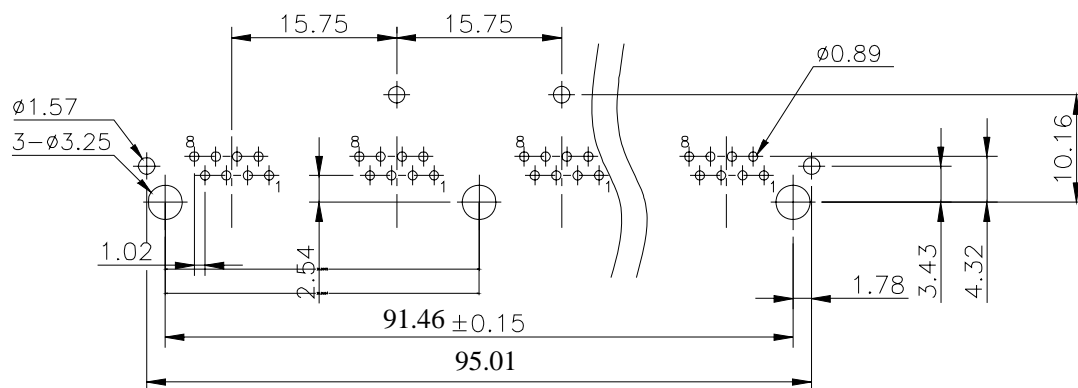
B



## Label position

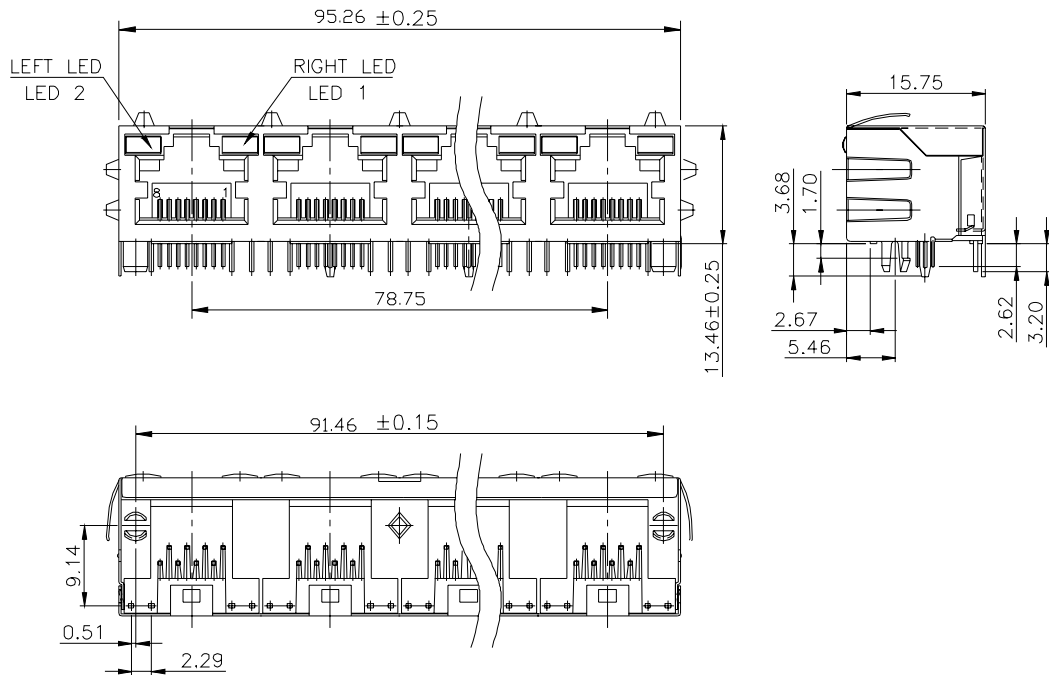


## PCB Layout Mounting Hole (Top View)

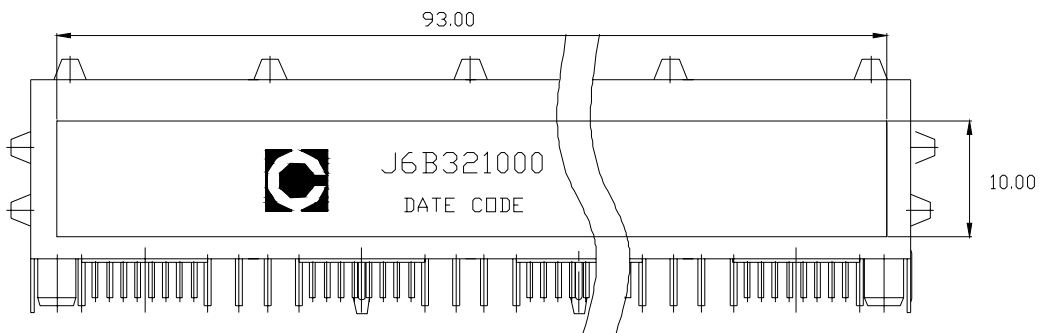




## B-LED



## Label position



## PCB Layout Mounting Hole (Top View)

