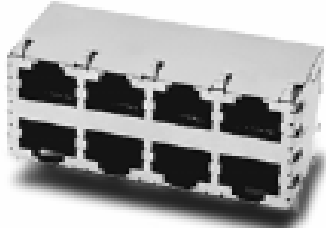




1000 BASE-TX MAGNETICS 2*4 RJ45 CONNECTOR MODULE WITH INTEGRATED



- Isolation @ 60Hz : Input to output:1500Vrms.
- Operating temperature range: 0°C to +70°C
- Storage temperature range: -20°C to +125°C
- RoHS compliant

Electrical Specifications @ 25°C

Part Number	Turns Ratio (±5%) TX/RX	Insertion Loss (dB Max)	Return Loss (dB Min @ Load 100 Ω)				Cross talk (dB Min)			DCMR (dB Min)		
			1-100MHz	1-30MHz	30-40MHz	40-50MHz	50-80MHz	30MHz	60MHz	100MHz	30MHz	60MHz
JDBA11ZIA	1CT:1CT	-1.0	-16	-13.5	-11.5	-10	-30	-25	-20	-40	-35	-30
JDBA11ZIB	1CT:1CT	-1.0	-16	-13.5	-11.5	-10	-30	-25	-20	-40	-35	-30

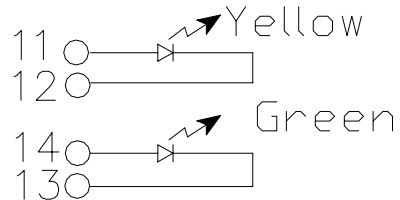
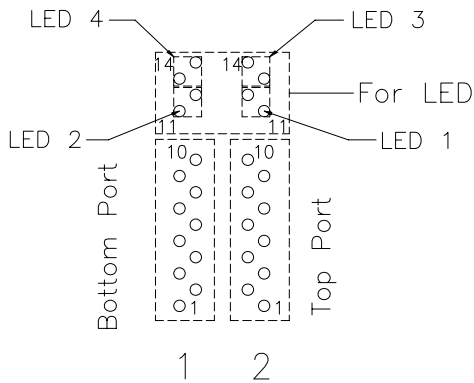
RJ45 RJ45 Durability Testing Rating & Material Specification Durability Testing

Durability	Mating Force	Contact		Housing		Shield	
		Material	Plating Area	Material	Specification	Material	Finish
750 Insertions	5 lbs./2.268 kgs.	Phosphor Brass	10-20m inches Nickel over selective gold plating 6 μ inches	Thermoplastic	UL 94 V-0 1	Brass	10-20m inches Nickel over 10-20m inches Brass

NOTE:

1. Explanation of 5th letter of P/N (Part Number)

Standard LED	LED Wavelength	Forward*V(Max)	(TYP)
GREEN	560-570nm	2.5V	2.1-2.2V
YELLOW	580-610nm	2.5V	2.1-2.2V
With a forward current 20mA			
Part Numbe	11,12 (LED1, LED2)	13,14 (LED3, LED4)	
1	Yellow	Green	



Mechanicals



Tel: 020-81628973

Fax:020-81628967

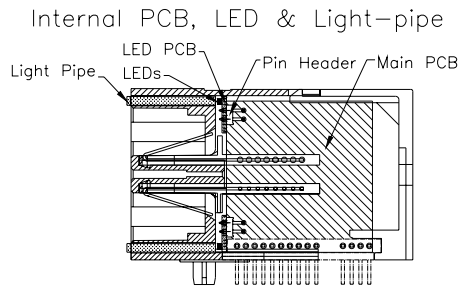
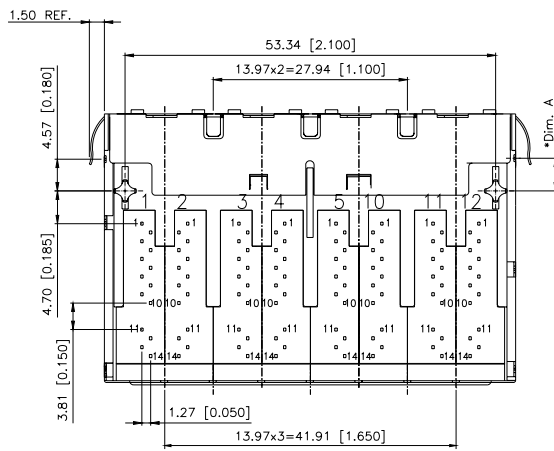
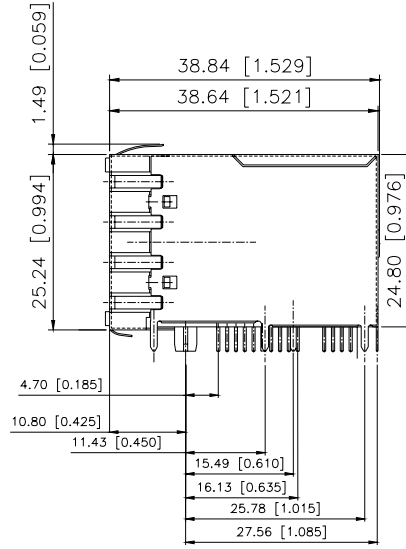
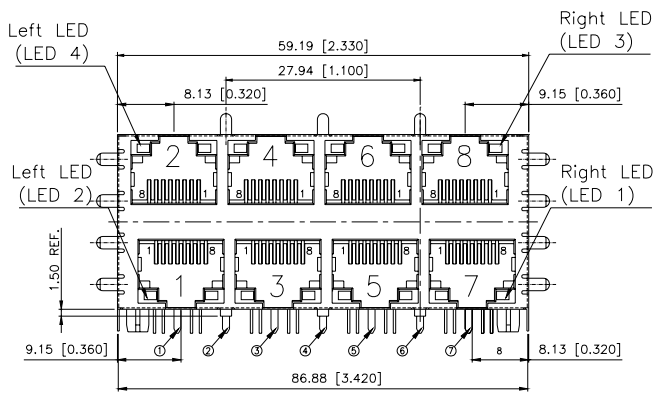
E-mail :sales@ceetus.com.cn

[http:// www.ceetus.com.cn](http://www.ceetus.com.cn)



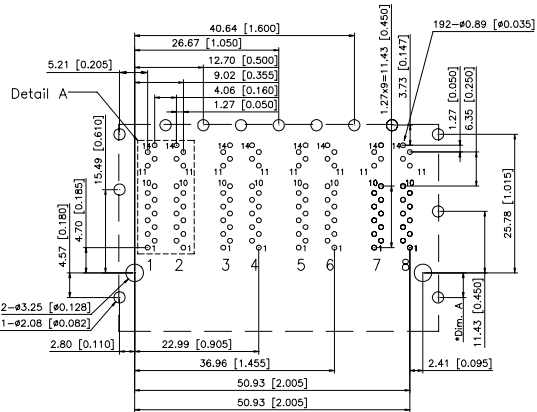
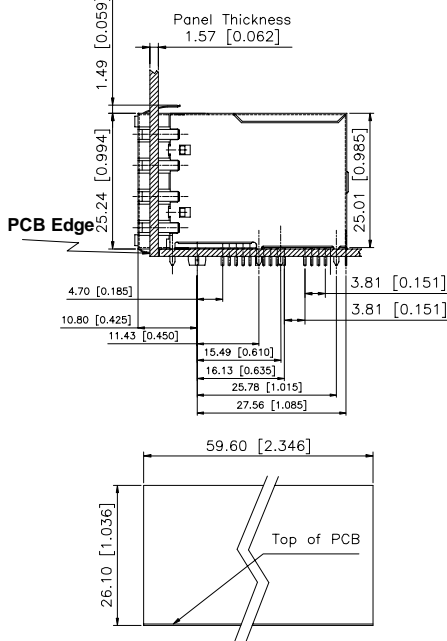
1000 BASE-TX MAGNETICS 2*4 RJ45 CONNECTOR MODULE WITH INTEGRATED

B-LED

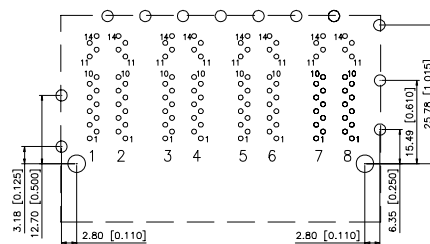


PCB Layout & Panel Cut-Out

Recommended Panel Cut-out



Optional Side Grounding Pins Recommended PCB Layout (Component Side)



Schematics



Tel: 020-81628973

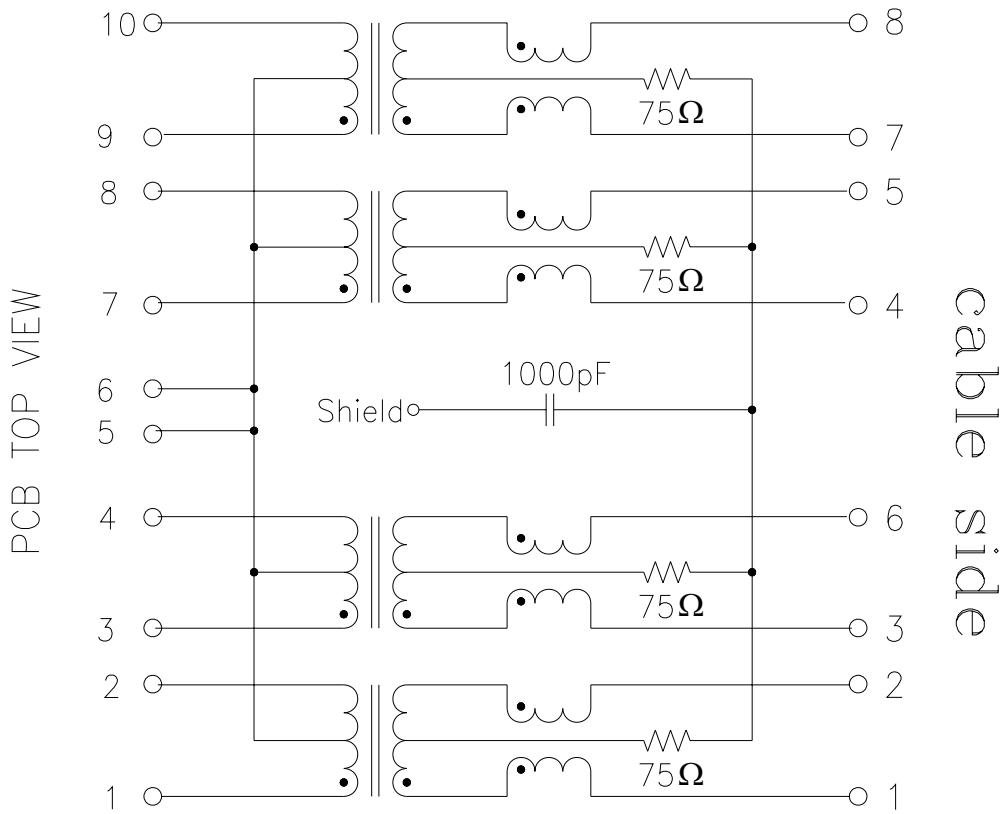
Fax: 020-81628967

E-mail : sales@ceetus.com.cn

<http://www.ceetus.com.cn>



IA



IB

